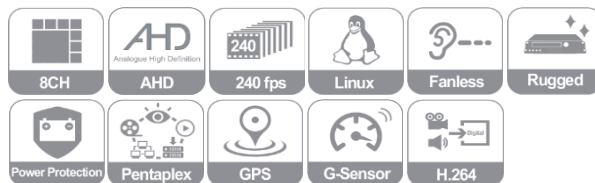


HMR-C608

Mobile HD Digital Video Recorder
(8Ch, AHD 720p, HD Resolution, HDMI)

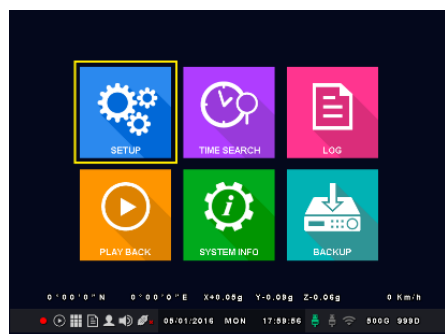


FEATURES

- 8Ch Mobile DVR (HD, 720p Resolution)
- Video Input : 8Ch - AHD720P, 960H, D1
- 240/200ps@720p Real-time Recording, Display & Playback, 30/25fps/Ch@720p
- 2 x 2.5" HDD or 2 x SSD
- SD Card slot for Event Recording
- 1 HDMI Video Out & 1 CVBS Video Out
- Storage Capacity : Max. 4TB (2TB x 2)
- Audio In 8Ch + 1Ch Mic. (Ext Port)
- Audio Out 1Ch + 1Ch Speaker (Ext Port)
- Alarm In 8TTL / Alarm Out 4 Relay
- Supports WiFi Dongle through USB Port
- 10/100/1000 Ethernet Network
- PC Viewer, Monitoring Software (ACMS)

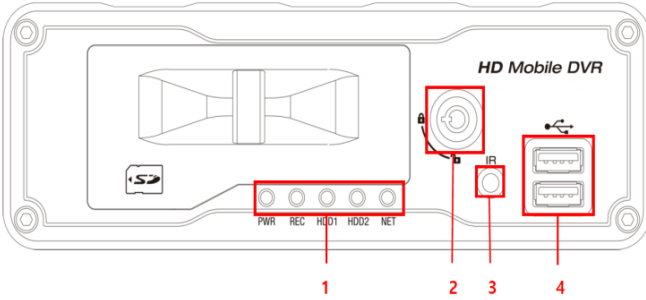
DVR SPECIFICATIONS

Operating system	Embedded Linux	
Video input	8 CH (AHD 720P or SD)	
Video output	CVBS 1CH, HDMI 1CH	
Video compression	H.264	
Audio input / output	8CH + 1CH MIC (EXT.Port) / 1CH + 1CH Speaker (EXT.Port)	
Audio compression	G.711	
Display split	1, 4, 8	
Recording mode	Normal / Event / Motion	
Recording	AHD 720P	240(200)fps in total
	SD	240(200)fps in total
Internal Buzzer	Supported	
G-sensor	Built-in, (Tri-axial acceleration sensor)	
GPS	Built-in (G-mouse)	
Triplex (Live, Playback, Record)	Triplex (Playback, Record, Copy)	
USB	2 x Front Ports USB 2.0 Front, 1 x Rear port USB 2.0	
Storage	2 x 2.5" SATA HDD/SSD RACK, 2TB each(max. size) SD card for event recording	
Alarm input	8 TTL	
Alarm output	4 Relay	
Network	10/100/1000 Ethernet, Wifi wireless (using wifi dongle)	
Working temperature	-20° C – 70° C, -4° F – 140° F	
Storage temperature	-40° C – 85° C, -40° F – 185° F	
Working Humidity	0% – 90%	
Working Voltage	DC 12V / 24V	
Product dimension (Without bracket)	182mm x 175mm x 62mm (W x D x H)	
Product Weight	Approx. 1.1kg	
Certifications	FCC, E-mark, CLASS-B	
PC Viewer Software CD	Smart Blur Software Wi-Fi Download Audio/Video Backup Software	
Monitoring Software	ACMS1.0: PC installation MDVR monitoring software	
	ACMS2.0: Sever-web based monitoring software	



HMR-C608

Front Panel Functions



① Front LED indicators

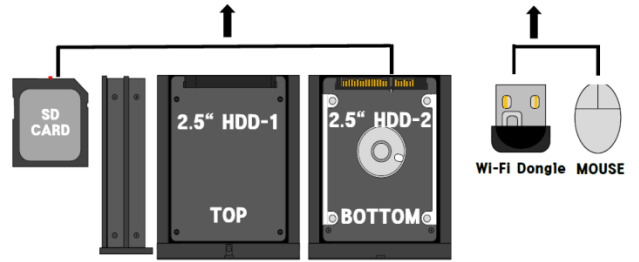
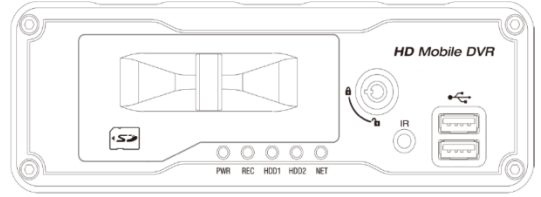
- PWR : POWER ON > Green LED on
- REC: RECORDING > Red LED on
- HDD1: HDD-1 mounted > Orange LED flickering
- HDD2: HDD-2 mounted > Orange LED flickering
- NET: Network connected > Green LED on

② Key lock: HDD and SD card lock

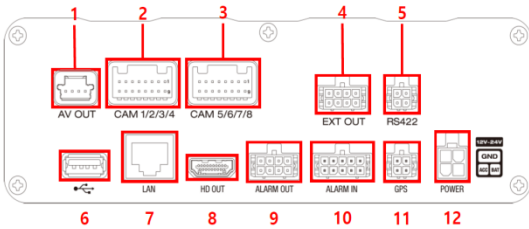
③ IR receiver for remote control

- ※ Make sure IR receiver is cleared and not blocked for remote control usage.

④ USB port: USB memory for upgrade and backup, USB mouse or WIFI dongle



Rear Panel Connections



① A/V OUT : 4 PIN VIDEO/AUDIO OUTPUT connector

② CAM 1/2/3/4 : 16 PIN/Camera 1CH - 4CH VIDEO/AUDIO INPUT connector

③ CAM 5/6/7/8 : 16 PIN/Camera 5CH - 8CH VIDEO/AUDIO INPUT connector

④ EXT OUT : 4 PIN/Speaker, MIC and other output connectors

⑤ RS422 : 4 PIN / Tx (+, -) & Rx (+, -)

⑥ USB : USB memory, mouse or WIFI dongle connection

⑦ LAN : RJ-45 / Remote connection to PC via Ethernet

⑧ HD OUT : 19 PIN / HD video out connector

⑨ Alarm Out : 8 PIN / Alarm out relay connector

⑩ Alarm In : 10 PIN / Alarm in connector

⑪ GPS : 4 PIN / G-MOUSE connector

⑫ POWER: 4 PIN power connector

